

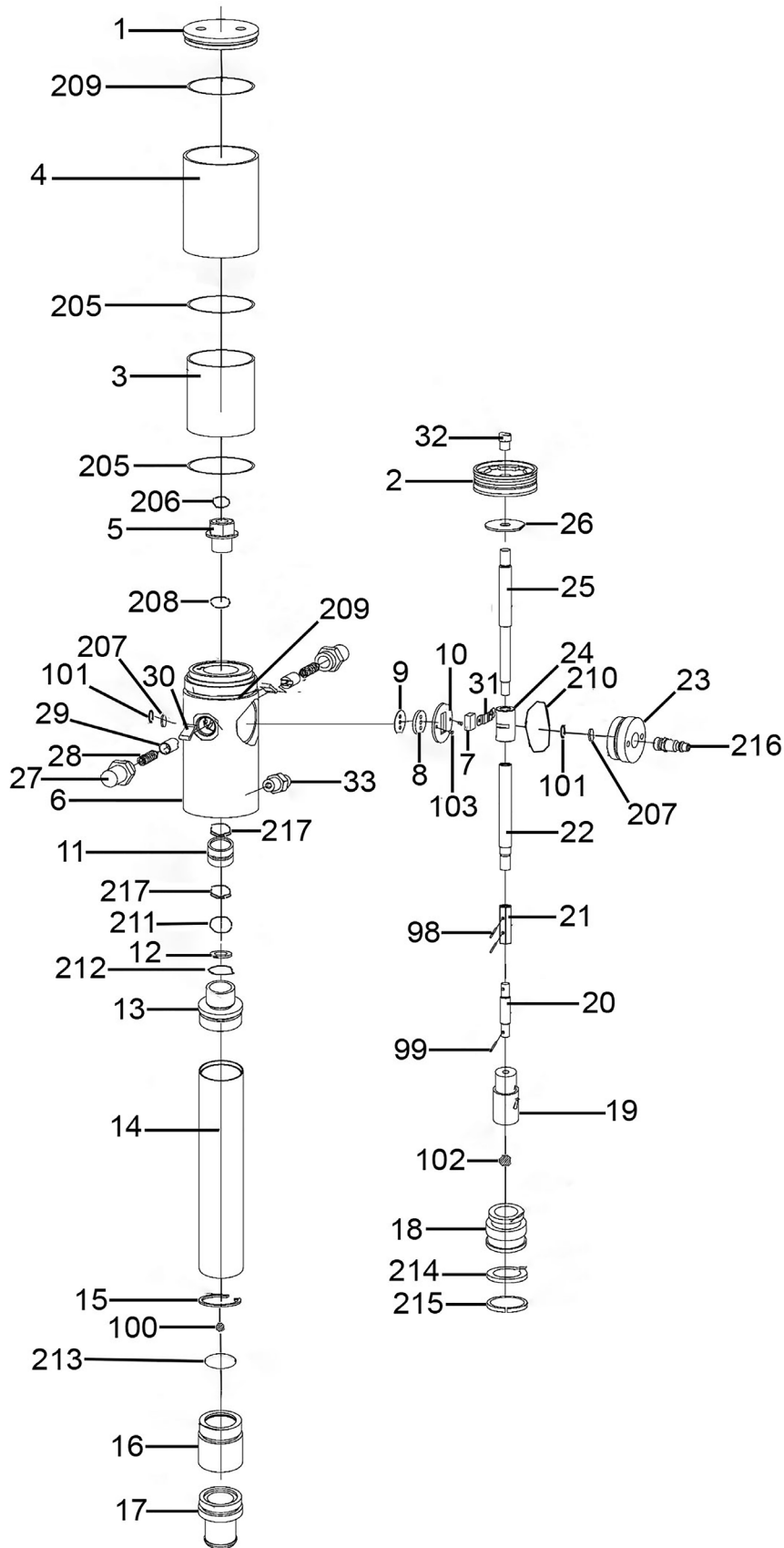
Item	Part No.	Description
1	GSM1010.S	Grub Screw M10 x 10mm
2	AK4563D.02	Trolley Base
3	AK4563D.03	Handle
4	AK4563D.04	Handle Cover
5	AK4563D.05	Drum Support
6	AK4563D.06	Adjustable Cover
7	AK4563D.07	Adjustable Pole
9	AK4563D.09	Handle Wheel
10	AK4563D.10	Accessory Holder
11	AK4563D.11	End Cap
16	AK4563D.16	Wheel, Fixed

Item	Part No.	Description
17	AK4561D.10	Wheel, Swivel Castor
18	SN10.SD	Steel Nut M10 Domed
--	AK4563D.08	Axle M8/M6 (Not Shown)
--	SS616.S	Hex Head Set Screw M6 x 16mm (Not Shown)
--	RW825.S	Repair Washer M8 x 25mm (Not Shown)
--	SFS816.S	Hex Head Flange Bolt M8 x 16mm (Not Shown)
--	FWM16.S	Flat Washer M16 (Not Shown)
--	FWM10.S	Flat Washer M10 (Not Shown)
--	AK4563D.20	Spring Washer M10 (Not Shown)
--	AK4563D.P14	Suction Tube 640mm (Not Shown)

NOTE: It is our policy to continually improve products and as such we reserve the right to alter data, specifications and component parts without prior notice. There may be alternative versions of this product, please contact us should you require this information.

IMPORTANT: No liability is accepted for incorrect use of product. Spare parts must be fitted by a competent person

WARRANTY: Guarantee is 12 months from purchase date, proof of which will be required for any claim.



NOTE: It is our policy to continually improve products and as such we reserve the right to alter data, specifications and component parts without prior notice. There may be alternative versions of this product, please contact us should you require this information.

IMPORTANT: No liability is accepted for incorrect use of product. Spare parts must be fitted by a competent person

WARRANTY: Guarantee is 12 months from purchase date, proof of which will be required for any claim.



Parts Information:
Gear Oil Dispensing System Air Operated
Model No: AK4563D.V2

Item	Part No.	Description
1	AK4560D.01	Air Motor Cover
2	AK4560D.02	Piston
3	AK4560D.03	Air Motor Shell (Inner)
4	AK4560D.04	Air Motor Shell (Outer)
5	AK4560D.05	Bracket
6	AK4560D.06	Air Control Centre
7	AK4560D.07	Slider
8	AK4560D.08	Gasket
9	AK4560D.09	Soft Gasket
10	AK4560D.10	Square Hole Securing washer
11	AK4560D.11	Bracket
12	AK4560D.12	Washer
13	AK4560D.13	Connect Tube
14	AK4560D.14	Suction Tube 850mm x 42mm
15	AK4560D.15	Spring Circlip
16	AK4560D.16	Valve Seat
17	AK4560D.17	Filter or Connector
18	AK4560D.18	Piston
19	AK4560D.19	Connecting Shell
20	AK4560D.20	Connect Shaft
21	AK4560D.21	Connect Shell
22	AK4560D.22	Middle Shaft
23	AK4560D.23	Air Centre Cover
24	AK4560D.24	Slider Shell
25	AK4560D.25	Piston Shaft
26	FWM10.S	Flat Washer M10

Item	Part No.	Description
27	AK4560D.27	Spring Shell
28	AK4560D.28	Spring
29	AK4560D.29	Spring Seat
30	AK4560D.30	Trip Shoe Guide
31	AK4560D.31	Press Piece
32	AK4560D.32	Nut
33	AK4560D.33	Outlet
98	AK4560D.98	Pin
99	SA51/08	Spring Pin M3 x 20mm
100	SB-21.4	Steel Ball 21.4mm
101	AK4560D.101	Internal Circlip
102	SB-16.0	Steel Ball 16.0mm
103	MSP410.S	Machine Screw Pan Head Phillips M4 x 10mm
205	AK453X.V3-P03	O-Ring (66.84 x 61.60 x 2.62)
206	SA342.12	O-Ring (14.38 x 10.82 x 1.78)
207	AK4560D.207	Silencer
208	SA686.36	O-Ring (22.33 x 18.77 x 1.78)
209	AK4560D.209	O-Ring (71.58 x 66.34 x 2.62)
210	AK453X.V3-P49	O-Ring (46.18 x 40.94 x 2.62)
211	MT700.V2-R10	O-Ring (25.53 x 20.29 x 2.62)
212	SA141.24	O-Ring (28.68 x 25.12 x 1.78)
213	AK4560D.213	O-Ring (41.41 x 36.17 x 2.62)
214	AK4560D.214	Seal
215	AK4560D.215	Guiding
216	AK4560D.216	Quick Coupling
217	AK4560D.217	OD Seal

NOTE: It is our policy to continually improve products and as such we reserve the right to alter data, specifications and component parts without prior notice. There may be alternative versions of this product, please contact us should you require this information.

IMPORTANT: No liability is accepted for incorrect use of product. Spare parts must be fitted by a competent person

WARRANTY: Guarantee is 12 months from purchase date, proof of which will be required for any claim.

Sealey Group, Kempson Way, Suffolk Business Park, Bury St Edmunds, Suffolk. IP32 7AR



01284 757500



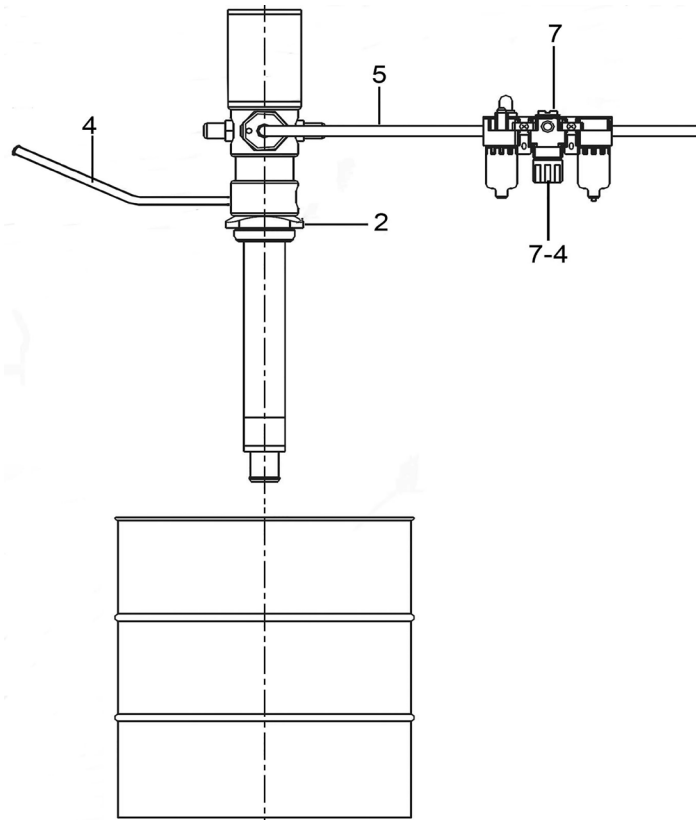
01284 703534



sales@sealey.co.uk

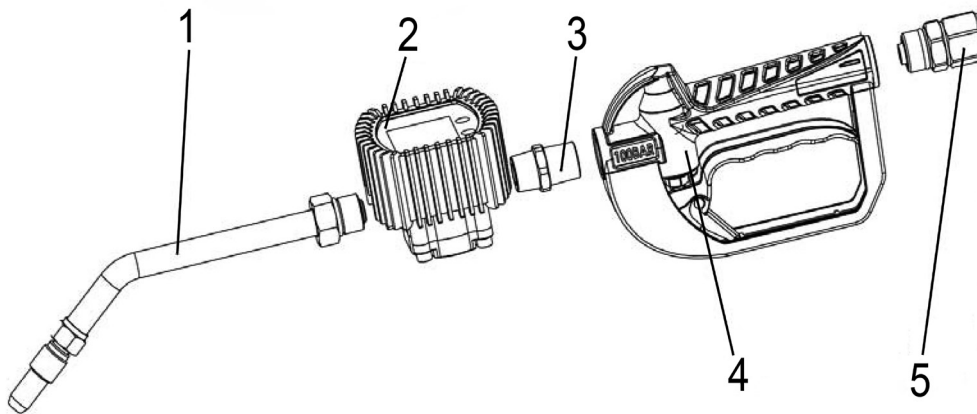


www.sealey.co.uk



Item	Part No.	Description
2	AK4560D.AC2	Bung Adaptor
4	AK4560D.AC4	Hose with Fitting
5	AK4560D.AC5	Air Hose with Quick Coupling
7	AK4560D.AC7	Regulator Assembly
7-4	AK4560D.AC7-4	Pressure Regulator Knob

Item	Part No.	Description
--	AK4560D.AC7-1	Gauge 150psi (Not Shown)
--	AK4560D.AC7-2	Fitting (Not Shown)
--	AK460DX.01	Quick Coupling (Not Shown)
--	AK4565D	Oil Hose End Gun ***See Diagram Below***



Item	Part No.	Description
1	AK4565D.V2-01	Flexible Nozzle
2	AK4565D.V2-02	Digital Meter
3	AK4565D.V2-03	Union Adaptor

Item	Part No.	Description
4	AK4565D.V2-04	Gun Handle
5	AK4565D.V2-05	Swivel Fitting 1/2"

NOTE: It is our policy to continually improve products and as such we reserve the right to alter data, specifications and component parts without prior notice. There may be alternative versions of this product, please contact us should you require this information.

IMPORTANT: No liability is accepted for incorrect use of product. Spare parts must be fitted by a competent person

WARRANTY: Guarantee is 12 months from purchase date, proof of which will be required for any claim.